



ELOTECH
INDUSTRIELELEKTRONIK GMBH

ELOVISION 2000

ELOVISION 2000.....	2
General	2
Program Description	3
Start	3
Controller (F2).....	3
Save file (F3)	4
Load data file (F4).....	4
Copy to (F5).....	4
Com. Ports settings (F9).....	4
Exit (F10)	4
Controller overview	5
Controller +1 (F2)	5
Controller -1 (F3)	5
Zone/Detail (F4).....	5
Set setpoint (F5)	6
Send setpoint to all zones (F6).....	6
Set name of zones (F7)	6
Set name of the machine (F8).....	6
Start (F9).....	6
Zone detail overview	7
Controller +1 (F2)	7
Controller -1 (F3)	7
Zone +1 (F4).....	7
Zone -1 (F5).....	8
Parameter change (F6).....	8
General configuration (F7).....	8
Copy to (F8).....	8
Controller (F9).....	8
Refresh - Updating parameters (F10).....	8
General Configuration Level	9
Controller +1 (F2)	9
Controller -1 (F3)	9
Parameter change (F6).....	10
Copy to (F8).....	10
Zone / Detail (F9).....	10
Controller (F10).....	10
Troubleshooting	10
Connecting the temperature controller to the serial interface of the PC.....	11
RS 232 – connection:	11
RS 485 – connection:	11

ELOVISION 2000

This software is for using with ELOTECH controllers type R2000, R2100, R2200.

This hardware is necessary:

- Windows 95B... or Windows NT
- Pentium processor > 133 Mhz
 - 16 MB RAM

The software contains the following windows:

- **Start window**
- **Controller window**
- **Zone/detail window**
- **General settings window**

All windows are fixed on 600 x 800 pixel. In every window you have 10 software keys for different functions. Some of them may be locked for a time.

You also have smaller windows for entering new parameter values. For entering press CR. For leaving press ESC.

All white text areas can be clicked with the mouse for entering new parameters.

General

This controller hardware is necessary:

- serial interface RS 232 / V24 or serial interface RS 485 + serial interface converter RS 485 to RS232 / V24.

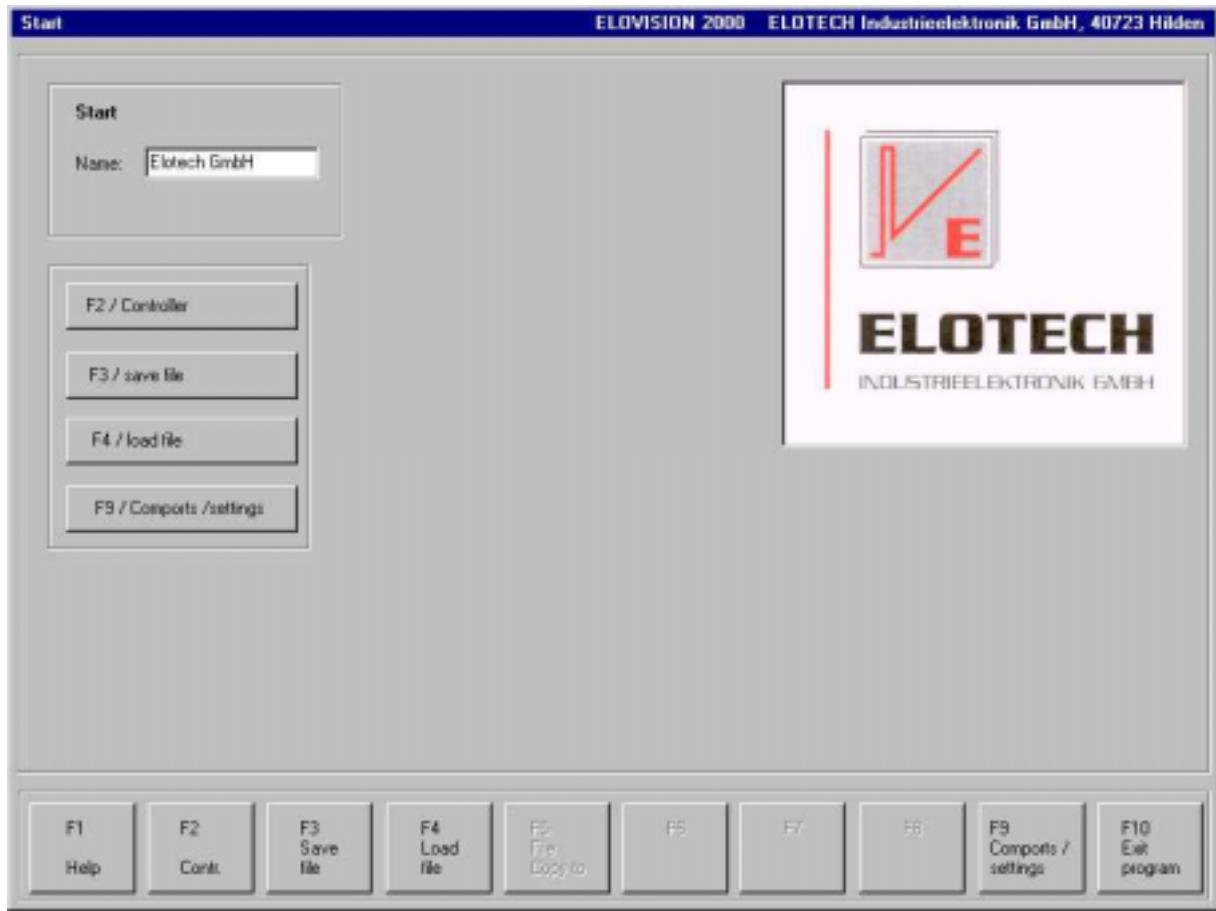
Max. 32 controllers can be connected . For each controller max. 16 zones can be displayed.

All parameters can be viewed and controlled in an overview window for each zone.

All parameters can be stored as a data file on hard or floppydisk and data files can also be loaded from there to the controller.

All functions of the software can be controlled with mouse or keyboard.

Program Description



Start

After starting the program you will see the start window . From here you can select different functions:

Controller
Store data file
Load data file
Copy to
Setting serial interface
Exit program

Controller (F2)

When you open *controllers* (F2) a window will appear from where you can select a controller. After CR the controller overview of the selected controller appears.

If the white parameter areas are not filled with parameter values the connection to the controller is broken. In this case please look to the Troubleshooting.

Save file (F3)

With Store data file. It is possible to store all parameters of a controller in a text data file. This data file can be read with notepad text editor. You can store max. 16 zones of one controller.

Store data file can only be reached in the Start window . The function can be selected by mouse or keyboard.

Note!

If you call *Save file* you must select the controller zones in *Zone/detail* before.

Load data file (F4)

Load data file can only be reached in the Start window. The function can be selected by mouse or keyboard. After selecting the function you will see a window for selecting the text data file you want. You can send the data files to every zone you want. Use the Copy to function. (F5)

Copy to (F5)

You can copy zone - parameter values to every zone of the controller or to every zone of another controller. You also can copy data files from hard or floppydisk to every controller zone.

You have 3 different *Copy to* menus:

- in the *Start window* - if there is loaded a data file before
- in the *Zone/Detail* overview (F8)
- in the *Mean settings window* for all zones (F8)

If *Copy to* is selected in the *Zone/detail* overview only the zone specified parameters will be sent. The general settings of the controller will not be changed. This makes sure, that only parameters of this zone are changed.

If *Copy to* will be selected in *General settings* all parameters included the mean setting parameters will be changed.

Com. Ports settings (F9)

The function *Com. Ports settings* allows setting the paramters for the serial interface. Normally the paramters will be set by the software automatically.

Language
Serial interface
Data bit
Baud rate
Stop bit
Parity bit
Type of memory

Exit (F10)

To exit the programm in the Start window you must press F10.

To store parameters in a data file you also can do this in the Start window with *Save file*.

Also the parameters of the serial interface Setting serial interface (Setting serial interface) will be stored when you leave the programm. The parameters will be recalled when you start the programm again.

Controller overview

Zone Name	act. Set value °C	Process °C	Output %	Alarm1	Alarm 2	Manual output active	Sensor error	Set value2 active	Alarm1 active	Alarm2 active	Ramp active
1 Regler 1/1	200	200	56	0	off	<input type="checkbox"/>	<input type="checkbox"/>	<input type="checkbox"/>	<input type="checkbox"/>	<input type="checkbox"/>	<input type="checkbox"/>
2 Regler 1/2	100	100	25	0	off	<input type="checkbox"/>	<input type="checkbox"/>	<input type="checkbox"/>	<input type="checkbox"/>	<input type="checkbox"/>	<input type="checkbox"/>
3 Regler 1/3	100	100	25	0	off	<input type="checkbox"/>	<input type="checkbox"/>	<input type="checkbox"/>	<input type="checkbox"/>	<input type="checkbox"/>	<input type="checkbox"/>
4 Regler 1/4	100	100	25	0	off	<input type="checkbox"/>	<input type="checkbox"/>	<input type="checkbox"/>	<input type="checkbox"/>	<input type="checkbox"/>	<input type="checkbox"/>
5 Regler 1/5	100	100	25	0	off	<input type="checkbox"/>	<input type="checkbox"/>	<input type="checkbox"/>	<input type="checkbox"/>	<input type="checkbox"/>	<input type="checkbox"/>
6 Regler 1/6	100	100	25	0	off	<input type="checkbox"/>	<input type="checkbox"/>	<input type="checkbox"/>	<input type="checkbox"/>	<input type="checkbox"/>	<input type="checkbox"/>
7 Regler 1/7	100	100	25	0	off	<input type="checkbox"/>	<input type="checkbox"/>	<input type="checkbox"/>	<input type="checkbox"/>	<input type="checkbox"/>	<input type="checkbox"/>
8 Regler 1/8	100	100	25	0	off	<input type="checkbox"/>	<input type="checkbox"/>	<input type="checkbox"/>	<input type="checkbox"/>	<input type="checkbox"/>	<input type="checkbox"/>
9 Regler 1/9	100	100	25	0	off	<input type="checkbox"/>	<input type="checkbox"/>	<input type="checkbox"/>	<input type="checkbox"/>	<input type="checkbox"/>	<input type="checkbox"/>
10 Regler 1/10	100	100	25	0	off	<input type="checkbox"/>	<input type="checkbox"/>	<input type="checkbox"/>	<input type="checkbox"/>	<input type="checkbox"/>	<input type="checkbox"/>
11 Regler 1/11	100	100	25	0	off	<input type="checkbox"/>	<input type="checkbox"/>	<input type="checkbox"/>	<input type="checkbox"/>	<input type="checkbox"/>	<input type="checkbox"/>
12 Regler 1/12	100	100	25	0	off	<input type="checkbox"/>	<input type="checkbox"/>	<input type="checkbox"/>	<input type="checkbox"/>	<input type="checkbox"/>	<input type="checkbox"/>
13 Regler 1/13	100	100	25	0	off	<input type="checkbox"/>	<input type="checkbox"/>	<input type="checkbox"/>	<input type="checkbox"/>	<input type="checkbox"/>	<input type="checkbox"/>
14 Regler 1/14	100	100	25	0	off	<input type="checkbox"/>	<input type="checkbox"/>	<input type="checkbox"/>	<input type="checkbox"/>	<input type="checkbox"/>	<input type="checkbox"/>
15 Regler 1/15	100	100	25	0	off	<input type="checkbox"/>	<input type="checkbox"/>	<input type="checkbox"/>	<input type="checkbox"/>	<input type="checkbox"/>	<input type="checkbox"/>
16 Regler 1/16	100	100	25	0	off	<input type="checkbox"/>	<input type="checkbox"/>	<input type="checkbox"/>	<input type="checkbox"/>	<input type="checkbox"/>	<input type="checkbox"/>

Controller +1 (F2)

Increasing to the controller you would like to select. You can connect up to 32 controllers

You can call this function in the window *Zone/Detail* or from the window General settings or from the *Window Controller overview*.

The parameters of the selected controller will be loaded to the new window automatically.

Controller -1 (F3)

Decreases the controller by 1. You can connect up to 32 controllers.

You can call this function in the window *Zone/Detail* or from the window General settings or from the *Window Controller overview*.

The parameters of the selected controller will be loaded to the new window automatically.

Zone/Detail (F4)

This windows will show every parameter of one zone and shows also the general parameters of the controller. The zone – parameters can be set by the mouse or via keyboard.

Before you can enter *Zone/Detail*, you must select the zone you want to see.

Set setpoint (F5)

This function is only available in the *Controller overview* window. Pressing F5 will set the cursor to set setpoint of zone 1. With up / down you can select an other zone. After setting the new setpoint you can store the new setpoint by pressing CR.

Send setpoint to all zones (F6)

With F6 you can send the setpoint of zone 1 to all zones directly. This function is only available in the *Controller overview window*.

Set name of zones (F7)

You can give custom specified names to each zone. The function is only available in *the zone overview* and can be selected with keyboard or with the mouse.

The names will also be stored in the text file data. If you make no entry, the software will set a name with controller number and zone number.

Set name of the machine (F8)

You can set a name . This name will be displayed after starting the program again. The machine name can only be set in the controller overview window.

Start (F9)

Brings you back to the start page.

Zone detail overview

Controller +1 (F2)

Increasing to the controller you like to select. You can connect up to 32 controllers.

You can call this function in the window *Zone/Detail* or from the window *General settings* or from the *Window Controller overview*.

The parameters of the selected controller will be loaded to the new window automatically.

Controller -1 (F3)

Decreases the controller by 1. You can connect up to 32 controllers

You can call this function in the window *Zone/Detail* or from the window *General settings* or from the *Window Controller overview*.

The parameters of the selected controller will be loaded to the new window automatically.

Zone +1 (F4)

Increasing the zone by 1.

The parameters of the selected controller will be loaded to the new window automatically.

Zone -1 (F5)

Decreases the zone by 1.

The parameters of the selected controller will be loaded to the new window automatically.

Parameter change (F6)

Change parameters can be reached in the window *Zone/Detail (F6)* and from window *General settings* .

After pressing F6 a window will appear. In this window you can select the parameter you like to set. If you are working with the mouse, you can click directly into a white parameter area to set a parameter.

General configuration (F7)

When General configuration is selected you can see all parameters which are important for the controller generally. If you set one of this parameters, you must control and reset all zone parameters.

Copy to (F8)

You can copy zone - parameter values to every zone of the controller or to every zone of another controller. You also can copy data files from hard or floppydisk to every controller zone.

You have 3 different Copy to menus:

- in the Start window - if there is loaded a data file before
- in the Zone/Detail overview (F8)
- in the Mean settings window for all zones (F8)

If *Copy to* is selected in the *Zone/detail overview* only the zone specified parameters will be sent. The general settings of the controller will not be changed. This makes sure, that only parameters of this zone are changed.

If *Copy to* will be selected in *General settings* all parameters included the mean setting parameters will be changed.

Controller (F9)

With this function you can select the controller overview.

Refresh - Updating parameters (F10)

Not every parameter will be read continuously to save time. If you set parameters via the software all actual parameters will be read again. If you set new parameters via push button on the controller, you must press the software button F10 for reading new parameters.

General Configuration Level

General configuration level

ELOVISION 2000 ELOTECH Industrieelektronik GmbH, 40723 Hi...

Zone name:
Contr. : 1

08:45:47

Configuration Level, general (F7)

Sensor mix: no F1100-Anschluß; all zones: Thermocouple

Heater current monitoring:
Delay time alarm1: 5
Delay time alarm2: 0

Configuration alarms:
Alarm 1: Heater current monitoring, limit contact: off-on
Alarm 2: Alarm OFF, no alarm signalization

Relay1/2 switching behaviour:
Alarm 1: direct
Alarm 2: direct

leakage current value: 1 Amp
Min leakage current val.: 0,3 Amp

Interval: 2 sec.

F1 Help F2 Contr.+1 F3 Contr.-1 F4 F5 F6 Parameter change F7 F8 Copy to F9 Zone/Detail F10 Conti.

Controller +1 (F2)

Increasing to the controller you like to select. You can connect up to 32 controllers

You can call this function in the window *Zone/Detail* or from the window General settings or from the *Window Controller overview*.

The parameters of the selected controller will be load to the new window automatically.

Controller -1 (F3)

Decreases the controller by 1. You can connect up to 32 controllers.

You can call this function in the window *Zone/Detail* or from the window General settings or from the *Window Controller overview*.

The parameters of the selected controller will be load to the new window automatically.

Parameter change (F6)

Setting parameters can be reached in the window *Zone/Detail (F6)* and from window *General settings* .

After pressing F6 a window will appear. In this window you can select the parameter you would like to set.

If you are working with the mouse, you can click directly into a white parameter area to set a parameter.

Copy to (F8)

You can copy zone - parameter values to every zone of the controller or to every zone of another controller. You also can copy data files from hard or floppydisk to every controller zone.

You have 3 different Copy to menus:

- in the Start window - if there is loaded a data file before
- in the Zone/Detail overview (F8)
- in the Mean settings window for all zones (F8)

If *Copy to* is selected in the *Zone/detail overview* only the zone specified parameters will be sent.

The general settings of the controller will not be changed. This makes sure, that only parameters of this zone are changed.

If *Copy to* will be selected in *General settings* all parameters included the mean setting parameters will be changed.

Zone / Detail (F9)

With this function you can select the zone detail overview.

Controller (F10)

With this function you can select the controller overview.

Troubleshooting

Communication error

If you have only white areas after starting the programm the connection via the serial interface is broken. The reason may be a Hardware error or wrong programm settings

Please do not use windows 95 A – Version. The programm will give you instructions for exact installing.

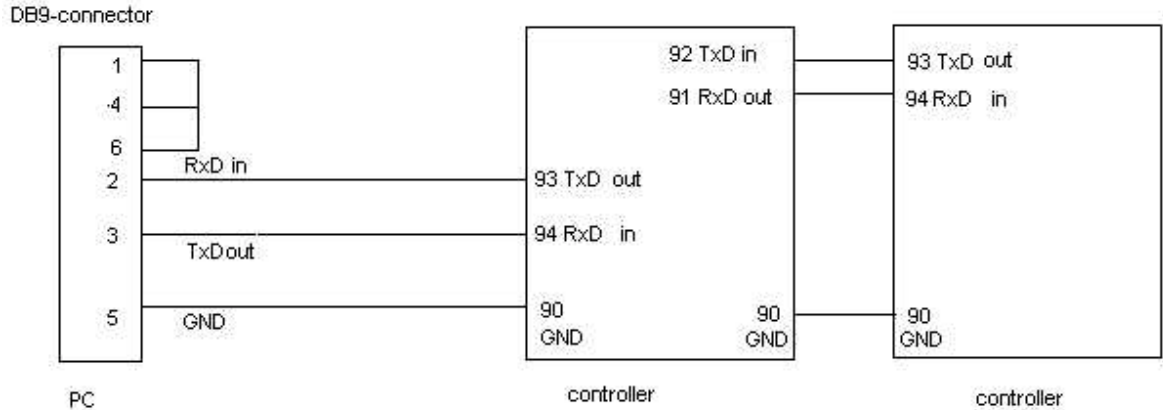
If you install the programm a second time please uninstall the old version first.

If you have any problems you also can contact us:

ELOTECH Industrieelektronik GmbH Verbindungsstrasse 27 D - 40 723 Hilden	Phone: 0049-(0) 2103-23055 Fax: 0049-(0) 2103-23057 mail: elotech@t-online.de
--	---

Connecting the temperature controller to the serial interface of the PC

RS 232 – connection:



RS 485 – connection:

