



Manual: Data Transfer

Profibus DP, EN 50170



Multizone Temperature Controller

Series: R2400, R2500, R4000

Content:

1. Disclaimer of liability.....	2
2. Interface, general	2
2.1 Line routing, screening and measures to combat interference voltage	3
2.2 Shielding of lines	4
2.3 Connection guide	5
2.3.1 PROFIBUS - Connections:	5
2.3.2 PROFIBUS - Adjustments:	5
2.3.3 PROFIBUS - Diagnostic displays:	6
3. Data Transfer, general	6
3.1 The Communication:	6
3.1.1 Process reflection: Module: „x – channel process data“	6
3.1.2 Configuration channel: Module: „parameter channel“	6
3.1.3 Process reflection and Configuration channel: Module: „x – channel process + parameter“ ..	6
3.1.4 Process reflection 2 (with actual value)*: Module: „x-ch. setpoint and actual value“	6
3.1.5 Process reflection 2 and Config. channel *: Module: “x- ch. setp. + act. + parameter“	6
3.2 Process reflection, From master to slave	7
3.3 Process reflection 2, From master to slave (only R4000).....	8
3.4 Transfer of the process data, From slave to master	9
3.5 Transmission example	10
3.5.1 From master to slave: Transmitting of setpoint and control byte.....	10
3.5.2 Answer from slave to master: Transmission of the process reflection	11
3.6 The Configuration Channel	12
3.6.1 Data transmission, general	12
3.6.2 Terms	12
3.6.3 Parameter ranges	12
3.6.4 Configuration of the parameters via the configuration channel.	12
3.6.5 Parameter list.....	14
3.6.6 Transmission example for configuration channel, Instruction code: 10 H	16
3.6.7 Transmission example for configuration channel, Instruction code: 20 H	17
3.6.8 Transmission example for Configuration channel, Instruction code: 21 H	18
3.7 Process reflection and Configuration channel, Master to slave:.....	19
3.8 Process reflection 2 and Configuration channel, Master to slave: (only R4000).....	20
3.9 Process reflection 1 or 2 and Configuration channel, Slave to Master:.....	21
4. Literature:	22
5. FAQ's – Frequently Asked Questions:.....	22

ELOTECH Industrieelektronik GmbH
Verbindungsstraße 27
D – 40723 HILDEN
FON +49 2103 / 255 97 0 FAX +49 2103 / 255 97 29
www.elotech.de Email: info@elotech.de

1. Disclaimer of liability

We have checked the contents of the document for conformity with the hardware and software described. Nevertheless, we are unable to preclude the possibility of deviations so that we are unable to assume warranty for full compliance. The information given in the publication is reviewed regularly. Necessary amendments are incorporated in the following editions.

We would be pleased to receive any improvement proposals which you may have.

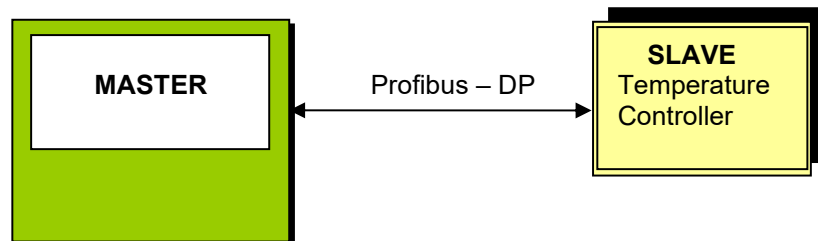
This document may not be passed on nor duplicated, nor may its contents be used or disclosed unless expressly permitted.

Note: Only in PROFIBUS-technology trained personnel following the safety regulations may do the PROFIBUS-connections.

It is essential, that one has well experience in installing a Profibus device.

2. Interface, general

The ELOTECH – multizones temperature controller is equipped with a PROFIBUS DP interface.



The PROFIBUS -interface allows the slave to be monitored and controlled by a PROFIBUS master. The data transfer between the slave and master takes place with the aid of the PROFIBUS-DP-protocol acc. to EN 50170.

The communication is always controlled by the PROFIBUS-DP master.

The temperature controller actuates as a slave.

Each slave has its own device address.

If there are transmission or other errors detected by the slave, it doesn't accept this data.

The old parameter values are still valid.

Please take attention to the manual of the specific temperature controller.

GDS - data file:

Is available on: www.elotech.de (downloads)

FAQ's:

see www.elotech.de (downloads)

2.1 Line routing, screening and measures to combat interference voltage

This chapter deals with line routing in the case of bus, signal and power supply lines, with the aim of ensuring an EMC-compliant design of your system.

General information on line routing

- Inside and outside of cabinets:

In order to achieve EMC-compliant routing of the lines, it is advisable to split the lines into the following line groups and to lay these groups separately.

Group A: •shielded bus and data lines (e.g. for PROFIBUS-DP, RS232C and printers etc.)
 •shielded analogue lines
 •unshielded lines for DC voltages ≥ 60 V
 •unshielded lines for AC voltage ≥ 25 V
 •coaxial lines for monitors

Group B: •unshielded lines for DC voltages ≥ 60 V and ≥ 400 V
 •unshielded lines for AC voltage ≥ 24 V and ≥ 400 V

Group C: •unshielded lines for DC voltages > 400 V

The table below allows you to read off the conditions for laying the line groups on the basis of the combination of the individual groups.

Line laying instructions as a function of the combination of line groups:

	Group A	Group B	Group C
Group A	1	2	3
Group B	2	1	3
Group C	3	3	1

- 1) Lines may be laid in common bunches or cable ducts.
- 2) Lines must be laid in separate bunches or cable ducts (without minimum clearance).
- 3) Lines must be laid in separate bunches or cable ducts inside cabinets but on separate cable racks with at least 10 cm clearance outside of cabinets but inside buildings .

2.2 Shielding of lines

Shielding is intended to weaken (attenuate) magnetic, electrical or electromagnetic interference fields.

Interference currents on cable shields are discharged to earth via the shielding bus which is connected conductively to the chassis or housing. A low-impedance connection to the PE wire is particularly important in order to prevent these interference currents themselves becoming an interference source.

Wherever possible, use only lines with braided shield. The coverage density of the shield should exceed 80 %. Avoid lines with foil shield since the foil can be damaged very easily as the result of tensile and compressive stress on attachment. The consequence is a reduction in the shielding effect.

In general, you should always connect the shields of cables at both ends. The only way of achieving good interference suppression in the higher frequency band is by connecting the shields at both ends.

The shield may also be connected at one end only in exceptional cases. However, this then achieves only an attenuation of the lower frequencies. Connecting the shield at one end may be more favourable if

- it is not possible to lay an equipotential bonding line
- analogue signals (a few mV resp. mA) are to be transmitted
- foil shields (static shields) are used.

In the case of data lines for serial couplings, always use metallic or metallised plugs and connectors. Attach the shield of the data line to the plug or connector housing. Do not connect the shield on the connector of the slave (controller).

If there are potential differences between the earthing points, a compensating current may flow via the shield connected at both ends. In this case, you should lay an additional equipotential bonding line.

Please note the following points when shielding:

- Use metal cable clips to secure the shield braiding. The clips must surround the shield over a large area and must have good contact.
- Downstream of the entry point of the line into the cabinet, connect the shield to a shielding bus. Continue the shield as far as the module, but do not connect it again at this point!

2.3 Connection guide

Note: Only in PROFIBUS-technology trained personnel following the safety regulations may do the PROFIBUS - connections.
It is essential, that one has well experience in installing a Profibus device.

You will require the following components to connect the slave:

- Connector for Profibus connection to the slave
- PROFIBUS cable (this cable is generally already installed on site!)
- GSD file
- Project planning tool for the PROFIBUS-Master

It is essential, that you perform the following during connecting in order to ensure that the slave operates correctly:

2.3.1 PROFIBUS - Connections:

Connect the slave with the PROFIBUS. Take care to the terminals.

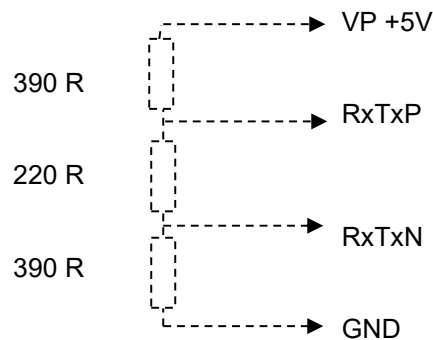
See: connection diagram of the specific controller type.

The terminals VP and GND have to be used to connect the terminating-resistors.

There is no further load allowed.

The terminating resistors have to be connected on the first and the last device of the Profibus line.

Terminating-Resistors (Tol. +/-2%):



Termination resistors are integrated in the standard Sub-D9 Profibusconnectors.
They can be activated by a switch.

2.3.2 PROFIBUS - Adjustments:

Adjust the following parameters (slave):

Device address and baud rate:

R2400: Configuration Parameters / PROFIBUS DP: Device address

R2500: Menu 2 / Configuration Parameters / Device address

R4000: Main / Tools / Field bus-USB-LAN / Field bus

2.3.3 PROFIBUS - Diagnostic displays:

Series R2400: see parameter „PROFIBUS DP: Baud rate“

Series R2500: Select „ Menu 2 / Device status / Profibus “ :

Series R4000: Main / Tools / Field bus-USB-LAN / Field bus“ : Status

- Data exchange:	Data Exchange Mode Communication OK
- Wait Param.:	Master detected – device expects initialization
-No connection:	Profibus not connected or master inactive

3. Data Transfer, general

3.1 The Communication:

The master sends its data to the slave.

The data will be accepted only if the instrument is programmed to “remote”-action.

After this the slave sends an answer to the PROFIBUS DP - master.

This takes place cyclic and will be controlled by the master.

The configuration of the slave takes place with the help of the GSD-file.

The following modules are available for the slave:

3.1.1 Process reflection:	Module: „x – channel process data“
3.1.2 Configuration channel:	Module: „parameter channel“
3.1.3 Process reflection and Configuration channel:	Module: „x – channel process + parameter“
3.1.4 Process reflection 2 (with actual value)*: (*only R4000)	Module: „x-ch. setpoint and actual value“
3.1.5 Process reflection 2 and Config. channel *: (*only R4000)	Module: “x- ch. setp. + act. + parameter“

x = 2, 4, 6, 8, 10, 12 or 16 (zones)

Info for 8-zones controllers: Choose x = 8 channel module, also if only 1 or 6 zones are in action.

3.2 Process reflection, From master to slave

Parameters transfer according to the process reflection module:

Transfer of Setpoint 1 and Status word 1

Byte 1	Byte 2	Byte 3	Byte 4	Byte 5	Byte 6	
Zone 1: Setpoint 1 High Byte	Zone 1: Setpoint 1 Low Byte	Zone 1: Control byte	Zone 2: Setpoint 1 High Byte	Zone 2: Setpoint 1 Low Byte	Zone 2: Control -byte	...

aso.

	Byte 46	Byte 47	Byte 48
...	Zone 16: Setpoint 1 High Byte	Zone 16: Setpoint 1 Low Byte	Zone 16: Control -byte

If there are instruments with controller zones lower than 16 (e.g. 8 or 12 zones) the number of the transmitted data bytes is lower too.

WARNING:

Every change of the setpoint is stored in the internal non-volatile memory. It permits max. 1.000.000 write cycles!

If frequently changing setpoints (e.g. ramps) are necessary Bit 2 in the control byte has to be set to "1" (only R4000)

Setpoint / process value:

The parameter value consists out of 2 data bytes within the process reflection.

First the high- and then the low-byte will be transmitted.

Setpoint and actual process values will be transmitted always with a decimal digit, although the measuring range has no decimal digit.

Example:	°C	Dec.	Hex.	High-Byte	Low-Byte
Measuring range with dec. point: act. value	23,0	230	00E6	00	E6
Measuring range with dec. point: Setpoint	170,0	1700	06A4	06	A4
Measuring range without dec. point: act. value	23	230	00E6	00	E6
Measuring range without dec. point: Setpoint	170	1700	06A4	06	A4

Control byte: The parameter consists out of one data byte:

Bit 0: controller zone 0=on, 1=off

Bit 1: self tuning 0=off, 1=on
Changing this bit from „0“ to „1“ will force the controller to do one self tuning action.
Set this bit to „0“, before starting a new self tuning action.

Bit 2: 0 = (R2400/R2500/R4000) Setpoint will be stored in the non volatile memory.
1 = (R4000) Setpoint will be stored only in RAM.

Bit 3: actual setpoint 0 = setpoint SP1, 1 = setpoint SP2
Valid for all zones with a 2. Setpoint different from OFF.

Bit 4: 1 = delete warning „self tuning error“ in the status byte

Bit 5: 0

Bit 6: 0

Bit 7: 1 = delete warning „system error“ into the status byte

3.3 Process reflection 2, From master to slave (only R4000)

In process reflection 2, the setpoint, actual value and control byte are transferred according to the scheme given below. The actual values are transferred regardless of the parameter "Remote" setting. The condition for the acceptance of the actual values is that the "Sensor selection" parameter is set to "via Profibus".

Transfer of setpoint 1 status word and actual value for all control zones. (Channels)

Byte 1	Byte 2	Byte 3	Byte 4	Byte 5	Byte 6	Byte 7	Byte 8	Byte 7	Byte 9	
Zone 1: Setpoint 1 High Byte	Zone 1: Setpoint 1 Low Byte	Zone 1: Control byte	Zone 1: Actual value High Byte	Zone 1: Actual value Low Byte	Zone 2: Setpoint 1 High Byte	Zone 2: Setpoint 1 Low Byte	Zone 2: Steuer- byte	Zone 2: Istwert High Byte	Zone 2: Istwert Low Byte	...

aso.

	Byte 76	Byte 77	Byte 78	Byte 79	Byte 80
...	Zone 16: Setpoint 1 High Byte	Zone 16: Setpoint 1 Low Byte	Zone 16: Control byte	Zone 16: Actual value High Byte	Zone 16: Actual value Low Byte

*If there are instruments with controller zones lower than 16 (e.g. 8 or 12 zones) the number of the transmitted data bytes is lower too.

WARNING: Every change of the setpoint is stored in the internal non-volatile memory. It permits max. 1.000.000 write cycles!

If frequently changing setpoints (e.g. ramps) are necessary Bit 2 in the control byte has to be set to "1" (only R4000)

Setpoint / process value: The parameter value consists out of 2 data bytes within the process reflection.
First the high- and then the low-byte will be transmitted.
Setpoint and actual process values will be transmitted always with a decimal digit, although the measuring range has no decimal digit.

Example:	°C	Dec.	Hex.	High-Byte	Low-Byte
Measuring range with dec. point: act. value	23,0	230	00E6	00	E6
Measuring range with dec. point: Setpoint	170,0	1700	06A4	06	A4
Measuring range without dec. point: act. value	23	230	00E6	00	E6
Measuring range without dec. point: Setpoint	170	1700	06A4	06	A4

Control byte: The parameter consists out of one data byte:

- Bit 0: controller zone 0=on, 1=off
- Bit 1: self-tuning 0=off, 1=on
Changing this bit from „0“ to „1“ will force the controller to do one self tuning action.
Set this bit to „0“, before starting a new self-tuning action.
- Bit 2: 0 = (R2400/R2500/R4000) Setpoint will be stored in the non-volatile memory.
1 = (R4000) Setpoint will be stored only in RAM.
- Bit 3: actual setpoint 0 = setpoint SP1, 1 = setpoint SP2
Valid for all zones with a 2. Setpoint different from OFF.
- Bit 4: 1 = delete warning „self-tuning error“ in the status byte
- Bit 5: 0
- Bit 6: 0
- Bit 7: 1 = delete warning „system error“ into the status byte

3.4 Transfer of the process data, From slave to master

Byte 1	Byte 2	Byte 3	Byte 4	Byte 5	Byte 6
Status Setpoint High Byte	Status Setpoint Low Byte	Zone 1 Process value High Byte	Zone 1 Process value Low Byte	Zone 1 Controller Status	Zone 1 Alarm Status
Zone 2 Process value High Byte	Zone 2 Process value Low Byte	Zone 2 Controller Status	Zone 2 Alarm Status	. . .	
. . .	Zone 16 Process value High Byte	Zone 16 Process value Low Byte	Zone 16 Controller Status	Zone 16 Alarm Status	

If there are instruments with controller zones lower than 16 (e.g. 8 or 12 zones) the number of the transmitted data bytes is lower too.

Status setpoint: Indicates, if a range error has been detected, when writing the setpoint:

- Bit 0: 0 = Zone 1: setpoint value OK.
1 = setpoint value not OK. (out of range ?)
- Bit 1: Zone 2:
- Bit 2: Zone 3:
- Bit 15: Zone 16: setpoint value not OK. (out of range ?)

Alarm State R2400/R2500:

- Bit 0: 1 = alarm 1 active
- Bit 1: 1 = alarm 2 active
- Bit 2...: 7 = 0 (undefined)

Alarm State R4000:

- Bit 0 = alarm 1 (overtemperature or undertemperature)
- Bit 1 = alarm 2 (overtemperature or undertemperature)
- Bit 2 = undefined
- Bit 3 = alarm 1 undertemperature
- Bit 4 = alarm 2 undertemperature
- Bit 5 = Restart lockout active
- Bit 6 = Heater current alarm
- Bit 7 = Heater current alarm short circuit

Controller Status:

- Bit 0: controller zone 0=on, 1=off
- Bit 1: self tuning 0=off, 1=on
- Bit 2: remote action 0=on, 1=off, operation via keyboard
- Bit 3: actual setpoint 0=setpoint SP1, 1=setpoint SP2
- Bit 4: 1 = self tuning error
- Bit 5: 1 = setpoint ramp function active
- Bit 6: 1 = sensor error
- Bit 7: 1 = system error

3.5 Transmission example

3.5.1 From master to slave: Transmitting of setpoint and control byte

Byte 1 + 2: Zone 1 The setpoint 50,0°C should be send to the slave.
Setpoint: 500 decimal = 0x01F4 hexadecimal as a 16 bit integer-value

Byte 3: Zone 1 The slave should be switched „on“ (Bit 0 = 0).

Byte 1	Byte 2	Byte 3	Byte 4	Byte 5	Byte 6	
Zone 1: Setpoint 1 High Byte 0x01	Zone 1: Setpoint 1 Low Byte 0xF4	Zone 1: Control Byte 0x00	Zone 2: Setpoint 1 High Byte 0x..	Zone 2: Setpoint 1 Low Byte 0x..	Zone 2: Control Byte 0x..	. . .

	Byte 46	Byte 47	Byte 48
. . .	Zone 16: Setpoint 1 High Byte 0x..	Zone 16: Setpoint 1 Low Byte 0x..	Zone 16: Control Byte 0x..

If there are instruments with controller zones lower than 16 the number of the transmitted data bytes is lower too.

3.5.2 Answer from slave to master: Transmission of the process reflection

The slave sends the following parameter-values:

Byte 1 + 2: status setpoint transmission: the last instruction was OK (value = 0x0000).

Byte 3 + 4: Zone 1 Act. process temp. value:55,0°C 550dec.=0x0226hex., 16 bit integer-value

Byte 5: Zone 1 Controller status: zone = on

Byte 6: Zone 1 Alarm status: alarm = no alarm

Byte 7 + 8: Zone 2 Act. process temp. value:56,0°C 560dec.=0x0230hex, 16 bit integer-value

Byte 9: Zone 2 Controller status: zone = on

Byte 10: Zone 2 Alarm status: alarm = Alarm 2 active

.

.

.

Byte63 + 64: Zone 16 Act. process temp. value

Byte 65: Zone 16 Controller status

Byte 66: Zone 16 Alarm status

Byte 1	Byte 2	Byte 3	Byte 4	Byte 5	Byte 6
Status Setpoint High Byte 0x00	Status Setpoint Low Byte 0x00	Zone 1 Process Value High Byte 0x02	Zone 1 Process Value Low Byte 0x26	Zone 1 Controller Status 0x00	Zone 1 Alarm Status 0x00

Byte 7	Byte 8	Byte 9	Byte 10	
Zone 2 Process Value High Byte 0x02	Zone 2 Process Value Low Byte 0x3A	Zone 2 Controller Status 0x00	Zone 2 Alarm Status 0x02	. . .

	Byte 63	Byte 64	Byte 65	Byte 66
. . .	Zone 16 Process Value High Byte 0x..	Zone 16 Process Value Low Byte 0x..	Zone 16 Controller Status 0x..	Zone 16 Alarm Status 0x..

If there are instruments with controller zones lower than 16 the number of the transmitted data bytes is lower too.

3.6 The Configuration Channel

With the help of the configuration channel each parameter can be addressed individually.

The sequence of the described bytes is valid for „request“ and „answer“.

3.6.1 Data transmission, general

The PROFIBUS – master is allowed to monitor and control all parameters of the slave.

The transfer of instructions and parameter values takes place with the aid defined data blocks.

3.6.2 Terms

Instruction-code	[BC]:	"tells" the device/slave, what to do	(1 byte)
Parameter-code	[PC]:	designates each individual parameter of the device	(1 byte)
Parameter-value	[PW]:	shows the value of a parameter	(3 bytes)

3.6.3 Parameter ranges

Instruction-code	[BC]:	0x10, 0x20, 0x21
Parameter-code	[PC]:	0x00...0xFF
Parameter-value	[PW]:	16-bit integer, mantissa PWH and PWL and decimal point PWK base 10
Parameter-value High-Byte	[PWH]	
Parameter-value Low- Byte	[PWL]	
Parameter-exponent	[PWK]	

3.6.4 Configuration of the parameters via the configuration channel.

Byte 1	Byte 2	Byte 3	Byte 4	Byte 5	Byte 6	Byte 7	Byte 8
Current number 0x00 ... 0xFF	Number of Zone 0x01...0xFF	Instruction code BC 0x10, 0x20 or 0x21	Always: 0x00	Parameter-code PC 0x00 ... 0xFF	Parameter-value PWH High-Byte	Parameter-value PWL Low-Byte	Decimal point PWK 0x00 ... 0xFF

Byte 1

Current Number: The master should preset a current number before every new task. This number will be repeated from the slave with every answer. So it is possible to find out, which instruction and which answer belong together.

Byte 2: Number of controller zone of the addressed instrument.
All parameters, which are necessary to configure the instrument, will be transmitted and addressed via zone no. 1.

Byte 3

Instruction code, BC: 0x10 : Read parameter
0x20 : Write parameter
0x21 : Write parameter and store with power fail protection
WARNING: The nonvolatile memory allows only app. 1.000.000 write cycles!

Byte 4: always 0x00

Byte 5

Parameter code, PC: Request:
Addresses the parameter which should be configured.
Answer:
If the read-proceeding to the slave was OK., than, in the answer of the slave, byte 5 shows the parameter-code PC.
If the write-proceeding to the slave was OK., than, in the answer of the slave, byte 5 shows the value 00H (acknowledge).
If the communication was not OK., the following error-warnings are shown in byte 5:
03 H - Procedure error (instruction code not valid)
04 H - Non-compliance with specified range (value to low or to high)
05 H - Number of the zone not allowed
06 H - The addressed parameter is a read-only parameter
07 H - Writing of data not possible. Slave status is not „remote“.
08 H - Parameter-code not valid
09 H - It is not possible, to execute the instruction
(e.g., the auto tuning can't be started)
FEH - Error during writing into the power fail storage
FFH - General error

Bytes 6, 7 and 8

Parameter value: The parameter value comprises three data bytes:
2 data byte (mantissa), 1 data byte (decimal point).

Byte 6: Parameter value **PWH**
Byte 7: Parameter value **PWL**
Byte 8: Parameter value **PWK**

Examples:	Dec.	Hex.	Mantissa	Dec. point
Process value (°C):	215	00D7	00D7	00
Setpoint (°C):		230	00E6	00
Output ratio, cooling (%)	-16	FFF0	FFF0	00
Setpoint ramp (°C/min.):	2,2	0016	0016	01

The parameter value is calculated as follows: Dec.: 2,2 = 22 + 1 dec. point
Hex.: = 0016 (mantissa)
= 01 (1 dec. point)

Negative values: Built binary two's complement.

3.6.5 Parameter list

See instruction manual for detailed parameter descriptions..
Depending on the device configuration not every parameter is available.

Parameter	Parameter-Code	R2400	R2500	R4000
Actual process values:				
Act. temperature value	0x10	RO	RO	RO
Act. heater current value	0x11	RO	RO	RO
Act. leakage current value	0x12	RO	RO	RO
Temperature offset value	0x18	RW	RW	RW
Sensor configuration	0x1a	RW	RW	RW
Measuring range, dec. point	0x1d	RO	RO	
Linear range, dec. point	0x1d	-	-	RW
Linear range, min. value	0x1e	-	-	RW
Linear range, mac. value	0x1f	-	-	RW
Setpoints:				
Actual setpoint	0x20	RO	RO	RO
Setpoint 1	0x21	RW	RW	RW
Setpoint 2	0x22	RW	RW	RW
Setpoint limitation, low range	0x2b	RW	RW	RW
Setpoint limitation, high range	0x2c	RW	RW	RW
Setpoint ramp, rising	0x2f	RW	RW	RW
Setpoint range, falling	0x2d	RW	RW	RW
Alarms:				
Measure current	0x30	-	-	RW
Heater current, detect. interval	0x31	RW	RW	RW
Min. leakage current value	0x32	RW	RW	RW
Alarm 1, Configuration	0x34	RW	RW	
Alarm 2, Configuration	0x35	RW	RW	
Alarm 1, Absolute/Relative	0x34			RW
Alarm 2, Absolute/Relative	0x35			RW
Alarm value 1 (R4000 Overtemperature)	0x38	RW	RW	RW
Alarm value 2 (R4000 Overtemperature)	0x39	RW	RW	RW
Alarm value 1 Undertemperature	0x36			RW
Alarm value 2 Undertemperature	0x37			RW
Switching behaviour A1	0x3c	RW	RW	RW
Switching behaviour A2	0x3d	RW	RW	RW
Delay time A1	0x3e	RW	RW	
Delay time Heater currnt alarm	0x3e			RW
Delay time A2	0x3f	RW	RW	
PID parameters „heating“:				
Proportional range (P)	0x40	RW	RW	RW
Rate time (D)	0x41	RW	RW	RW
Reset time (I)	0x42	RW	RW	RW
Cycle time	0x43	RW	RW	RW
Control sensitivity	0x47	RW	RW	RW
Dead band / switch-point difference (only for 3-point-controllers)	0x46	RW	RW	RW

Parameter	Parameter-Code	R2400	R2500	R4000
PID parameters „cooling“:				
Proportional range (P)	0x50	RW	RW	RW
Rate time (D)	0x51	RW	RW	RW
Reset time (I)	0x52	RW	RW	RW
Cycle time	0x53	RW	RW	RW
Control sensitivity	0x57	RW	RW	RW
Output ratio:				
Actual output ratio	0x60	RO	RO	RO
Manual output ratio	0x62	RW	RW	RW
Output ratio limit (heating)	0x64	RW	RW	RW
Output ratio limit (cooling)	0x69	RW	RW	RW
Softstart:				
Soft start output ratio	0x6a	RW	RW	RW
Soft start setpoint	0x6b	RW	RW	RW
Soft start duration time	0x6c	RW	RW	RW
Soft start function on/off	0x6d	RW	RW	RW
Controller configuration:				
Control action: (heat / cool / ...)	0x80	RW	RW	RW
Configuration digital output	0x81			RW
Configuration relay output	0x82			RW
Adjustment lock	0x85	RW	RW	RW
Self tuning (0 = off; 1 = on)	0x88	RW	RW	RW
Zone offset	0x89	RW	RW	RW
Manual output ratio configuration 0 = control action 1 = auto 2 = manual operation (set output ratio by par. 0x62)	0x8b	RW	RW	RW
Controller unit	0x8d			RW
Sensor configuration	0x8e	RW	RW	
Controller zone off/on (0 = off; 1 = on)	0x8f	RW	RW	RW
Recorder function: Sample time	0x90	RW	RW	RW
Logic input 1: Setp. 2 / program contr.	0x91			RW
Start delay: Off, Time, Communication	0x92			RW
Delay time [s]	0x93			RW
Config. Setpoint / cascade	0x94			RW
Source zone ext. setpoint	0x95			RW
Master zone cascade contr.	0x96			RW
Cascade scaling / Start setpoint	0x97			RW
Cascade scaling / End setpoint	0x98			RW
Language selection	0x9b			RW
Setpoint selection (0=SP1 1=SP2)	0x9C			RW
Reset of error bits Bit 0: System error Bit 1: Autotune error Bit 2: release of restart lockout Bit 8: clear self hold alarm 1 Bit 9: clear self hold alarm 2	0x9D			RW

3.6.6 Transmission example for configuration channel, Instruction code: 10 H

The slave is asked to send the parameter „Process value, 10 H“ of zone no.1 to the master.
The process value is 225 °C. 225 (Decimal) = 0xE1 (Hex)

Master to slave:	Dec.	Hex
Current number:	1	0x01
Zone no.:	1	0x01
Send parameter:	16	0x10
Always:	0	0x00
Parameter code (process value):	16	0x10
Parameter value (High-Byte):	0	0x00
Parameter value (Low -Byte):	0	0x00
Decimal point:	0	0x00

Transmission to slave: 0x01, 0x01 0x10, 0x00, 0x10, 0x00, 0x00, 0x00

Slave to master:	Dec.	Hex
Current number of instruction:	1	0x01
Zone no.:	1	0x01
Send parameter:	16	0x10
Always:	0	0x00
Parameter code (process value):	16 *)	0x10
Parameter value (High-Byte):	0	0x00
Parameter value (Low -Byte):	225	0xE1
Decimal point	0	0x00

Transmission to master: 0x01, 0x01 0x10, 0x00, 0x10, 0x00, 0xE1, 0x00

*) Repetition of the parameter code (PC = 16), because the read-process was OK.

3.6.7 Transmission example for configuration channel, Instruction code: 20 H

The slave gets the instruction:

"Store parameter „prop.-band heating“ (parameter code: 40H, parameter value: 5,0 %) of zone no. 2 in RAM".

Master to slave:	Dec.	Hex
Current number:	2	0x02
Zone no.:	2	0x02
Instruction code:	32	0x20
Always:	0	0x00
Parameter code:	64	0x40
Parameter value (High-Byte):	0	0x00
Parameter value (Low -Byte):	50	0x32
Decimal point	1	0x01

Transmission to slave: 0x02, 0x02, 0x20, 0x00, 0x40, 0x00, 0x32, 0x01

Slave to master:	Dec.	Hex
Current number of instructions:	2	0x02
Zone no.:	2	0x02
Instruction code:	32	0x20
Always:	0	0x00
Parameter code (Prop-band, heating):	0 *	0x00
Parameter value (High-Byte):	0	0x00
Parameter value (Low -Byte):	0	0x00
Decimal point	0	0x00

Transmission to master: 0x02, 0x02, 0x20, 0x00, 0x00, 0x00, 0x00, 0x00

- *) If the writing-process was OK, the controller always answers with the parameter code (PC) = 00.
If there are transmission or other errors the slave answers with the corresponding error code.

3.6.8 Transmission example for Configuration channel, Instruction code: 21 H

The slave gets the instruction:

" Store parameter setpoint 1 / SP1 = 200°C (parameter code: 21H) of zone no. 1 power fail safe in EEPROM".

Master to slave:	Dec.	Hex
Current number:	3	0x03
Zone no.:	1	0x01
Instruction code:	33	0x21
Always:	0	0x00
Parameter code (SP1):	33	0x21
Parameter value (High-Byte):	0	0x00
Parameter value (Low -Byte):	200	0xC8
Decimal point	0	0x00

Transmission to slave: 0x03, 0x01, 0x21, 0x00, 0x21, 0x00, 0xC8, 0x00

Slave to master:	Dec.	Hex
Current number of instruction:	3	0x03
Zone no.:	1	0x01
Instruction code:	33	0x21
Always:	0	0x00
Parameter code:	0 *)	0x00
Parameter value (High-Byte):	0	0x00
Parameter value (Low -Byte):	0	0x00
Decimal point	0	0x00

Transmission to master: 0x03, 0x01, 0x21, 0x00, 0x00, 0x00, 0x00, 0x00

- *) If the writing-process was OK, the controller always answers with the parameter code (PC) = 00.
If there are transmission or other errors the slave answers with the corresponding error code.

3.7 Process reflection and Configuration channel, Master to slave:

It is possible, to transmit process reflection and configuration channel simultaneously.
In this case the bytes of the configuration channel must be fit together with the process reflection.

Byte 1	Byte 2	Byte 3	Byte 4	Byte 5	Byte 6	
Zone 1: Setpoint 1 High Byte	Zone 1: Setpoint 1 Low Byte	Zone 1: Control Byte	Zone 2: Setpoint 1 High Byte	Zone 2: Setpoint 1 Low Byte	Zone 2: Control Byte	...

	Byte 46	Byte 47	Byte 48
...	Zone 16: Setpoint 1 High Byte	Zone 16: Setpoint 1 Low Byte	Zone 16: Control Byte

Byte 49	Byte 50	Byte 51	Byte 52	Byte 53	Byte 54	Byte 55	Byte 56
Current Number	Controller Zone	Instruction Code BC	Always: 0x00	Parameter Code PC	Parameter Value PWH High Byte	Parameter Value PWL Low Byte	Dec. Point PWK

If there are instruments with controller zones lower than 16 the number of the transmitted data bytes is lower too.

3.8 Process reflection 2 and Configuration channel, Master to slave: (only R4000)

It is possible, to transmit process reflection 2 (with setting of actual value) and configuration channel simultaneously.

In this case the bytes of the configuration channel must be fit together with the process reflection.

Byte 1	Byte 2	Byte 3	Byte 4	Byte 5	Byte 6	Byte 7	Byte 8	Byte 9	Byte 10	Byte 11
Zone 1: Setpoint 1 High Byte	Zone 1: Setpoint 1 Low Byte	Zone 1: Control Byte	Zone 1: Actual value High Byte	Zone 1: Actual value Low Byte	Zone 2: Setpoint 1 High Byte	Zone 2: Setpoint 1 Low Byte	Zone 2: Control Byte	Zone 2: Actual value High Byte	Zone 2: Actual value Low Byte	. . .

	Byte 76	Byte 77	Byte 78	Byte 79	Byte 80
. . .	Zone 16: Setpoint 1 High Byte	Zone 16: Setpoint 1 Low Byte	Zone 16: Control Byte	Zone 16: Actual value High Byte	Zone 16: Actual value Low Byte

Byte 49	Byte 50	Byte 51	Byte 52	Byte 53	Byte 54	Byte 55	Byte 56
Current Number	Controller Zone	Instruction Code BC	Always: 0x00	Parameter Code PC	Parameter Value PWH High Byte	Parameter Value PWL Low Byte	Dec. Point PWK

If there are instruments with controller zones lower than 16 the number of the transmitted data bytes is lower too.

3.9 Process reflection 1 or 2 and Configuration channel, Slave to Master:

Byte 1	Byte 2	Byte 3	Byte 4	Byte 5	Byte 6
Status Setpoint High Byte	Status Setpoint Low Byte	Zone 1 Process Value High Byte	Zone 1 Process Value Low Byte	Zone 1 Controller Status	Zone 1 Alarm Status

Byte 7	Byte 8	Byte 9	Byte 10
Zone 2 Process Value High Byte	Zone 2 Process Value Low Byte	Zone 2 Controller Status	Zone 2 Alarm Status

Byte 11	Byte 12	Byte 13	Byte 14	
Zone 3 Process Value High Byte	Zone 3 Process Value Low Byte	Zone 3 Controller Status	Zone 3 Alarm Status	. . .

	Byte 63	Byte 64	Byte 65	Byte 66
. . .	Zone 16 Process Value High Byte	Zone 16 Process Value Low Byte	Zone 16 Controller Status	Zone 16 Alarm Status

Byte 67	Byte 68	Byte 69	Byte 70	Byte 71	Byte 72	Byte 73	Byte 74
Current Number	Controller Zone	Instruction Code BC	Always: 0x00	Parameter Code PC	Parameter Value PWH High Byte	Parameter Value PWL Low Byte	Dec. Point PWK

4. Literature:

Literature and general information: <http://profibus.com/>

5. FAQ`s – Frequently Asked Questions:

Find a list of FAQs at: „www.elotech.de -> Downloads“